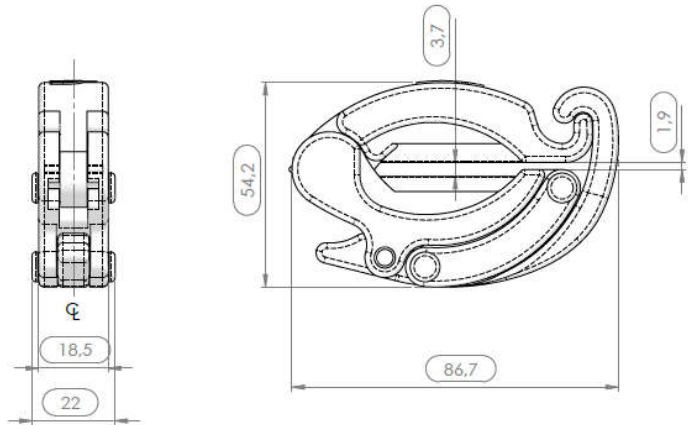




Pinch-Valve

Material

The Pinch-Valve is made from glass filled nylon. This material is extremely strong and is stable during heat exposure and mechanical load. The Pinch Valve is easy to use because there is only one way to close it, no adjustments possible. Because of this over-compression and destruction of tubing is prevented. The Pinch-Valve cannot be installed incorrectly. A locking device prevents unwanted opening of the Pinch-Valve when needed. A tie-wrap or some other device can be installed. Photo previous page left corner.



Material: ULTRAMID® (BASF) Glass filled Nylon 66

Temperature range -20°C to 150°C

Color: White

Maximum Gamma Irradiation 50kGy

Autoclave & SIP ready

Compound number CMD-1057

Compliance:

Meets: USP41 Cytotoxicity <87>, ISO10993-5

Meets: EC 10/2011

Meets: FDA

Certified TSE/BSE (ADIF) free (EME/410/01)

Tubing type & size up to:

Braided Silicone Max. 3/8" x 5/8" (9,5 X 16)

Clear Silicone Max. 3/4" ID (19 mm) **min. wall thickness should always be > 2,40 mm (3/32")**

Part Number: **UPPV-37NG**

Test suitability first before use.

Distributed by:



info@ultrapharma.com

The Netherlands

www.ultrapharma.com

T. +31 856 200 900