

ASEPTIQUIK® G DC SERIES CONNECTORS

AseptiQuik® G DC Series Connector is the first all-in-one, genderless, single-use connection technology to offer both a sterile connection and a sterile disconnection. With the AseptiQuik G DC connector, manufacturers can make quick and easy sterile connections and disconnections – even in non-sterile environments.

The intuitive Flip - Click - Pull design of the AseptiQuik G DC connector enables users to transfer media easily with less risk of operator error. After transfer is complete, a simple two-step disconnection maintains media sterility by preventing environmental ingress into the media flow path.

The connector's robust design and automatic shutoff valves provide reliable performance without the need for clamps, fixtures or tube welders/sealers.



SPECIFICATIONS

OPERATING PRESSURE

Up to 60 psi, 4.1 bar

Up to 75 psi, 5.1 bar for 48 hours

OPERATING TEMPERATURE

34°F to 104°F (1°C to 40°C)

STERILIZATION

Gamma: up to 50 kGy irradiation

TERMINATIONS

1/4", 3/8", 1/2" hose barb

(6.4mm, 9.5mm, 12.7mm)

MATERIALS

Main components:

Polycarbonate (white)

Thumb latch:

Polycarbonate (blue)

Pull Tabs/Caps:

Polycarbonate (blue)

Seals:

Silicone (clear), platinum-cured

Membrane:

Polyethylene

Springs:

Alloy C-276

FEATURES

Genderless →

FLIP - CLICK - PULL →

Simple Two-Step Disconnection →

Membrane Pull Tabs →

Automatic Shutoff Valves →

Protective Thumb Latch Cover →

Alloy C-276 internal flow path spring →

BENEFITS

Eases single-use systems specifications with one-part number for both halves

Intuitive three-step connection process reduces risk of operator error

Maintains system sterility in both sides of the system via disconnect process

Ensure simultaneous and secure removal of both membranes

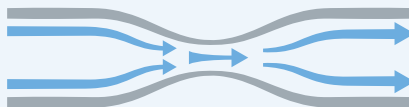
Eliminate the need for pinch clamps or tube sealers post disconnect process

Eliminates accidental disconnects

Enables broader application compatibility

TYPICAL FLOW RATE:

Cv Value Range: 0.8-1.90
for AseptiQuik G DC hose barb terminations



Cv values represent the approximate expected flow rate in gallons per minute of water at room temperature for a 1 PSI pressure drop. The flow is generally constrained by the smallest diameter, which in some cases will be the termination diameter and not the Nominal Flow Path.

NOTE

Validation and Extractables data can be requested at
cpcworldwide.com/AseptiQuik-GDC



cpcworldwide.com/AseptiQuik-GDC



COLDER PRODUCTS COMPANY

U.S.A.

PHONE: +1 (651) 645-0091

FAX: +1 (651) 645-5404

TOLL FREE: +1 (800) 519-7633

E-MAIL: info@cpcworldwide.com

PHARMASEP

Always by your side

E-mail : contact@pharmasep.fr

www.pharmasep.fr - Tél : +33 4 74 71 94 71
260, rue Georges Charpak - 01390 Civrieux - France

WARNING: Pressure, temperature, chemicals, and operating environment can affect the performance of couplings. It is the customer's responsibility to test the suitability of CPC's products in their own application conditions.

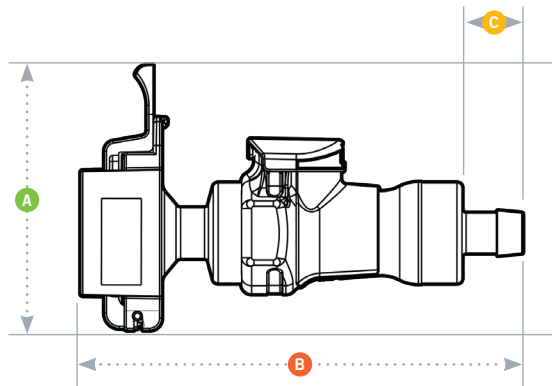
ASEPTIQUIK® G DC SERIES DIMENSIONS

POLYCARBONATE - For gamma irradiation applications.

TERMINATION	TUBING	METRIC EQ.	PART NO.	A	B	C
1/4" HOSE BARB ASEPTIQUIK G DC BODY	1/4"	6.4 mm	AQGDC17004	2.62" (66.5 mm)	4.37" (111.0 mm)	0.60" (15.2 mm)
3/8" HOSE BARB ASEPTIQUIK G DC BODY	3/8"	9.5 mm	AQGDC17006	2.62" (66.5 mm)	4.37" (111.0 mm)	0.60" (15.2 mm)
1/2" HOSE BARB ASEPTIQUIK G DC BODY	1/2"	12.7 mm	AQGDC17008	2.62" (66.5 mm)	4.66" (118.4 mm)	0.89" (22.6 mm)

PRODUCT DIMENSIONS

- A** = Height/Diameter
- B** = Total Length
- C** = Hose Barb Length



ASEPTIQUIK® G DC ASSEMBLY PROCEDURE

STEP 1

Unsnap and flip down the protective pull tab covers on each connector half.

STEP 2

Align the connector halves with the pull tabs hanging down. Slide the two halves together. Independently squeeze each side of the connector until you hear an audible "CPC Click."

STEP 3

To complete the connection, simply snap the pull tabs together by pushing on the CPC logos and pull the membranes from the connector.

STEP 4

Remove protective thumb latch cover.

STEP 5

Press the thumb latch to disconnect.

WARRANTY: All sales are subject to Colder Products Company's limited express warranty set forth in the CPC catalog. Contact your local distributor or CPC Customer Service for warranty provisions.

Warning: Due to the wide variety of possible fluid media and operating conditions, unintended consequences may result from the use of this product, all of which are beyond the control of CPC. It is the user's responsibility to carefully determine and test for compatibility for use with their application. All such risks shall be assumed by the buyer.

COPYRIGHT © 2022 BY COLDER PRODUCTS COMPANY

COLDER PRODUCTS COMPANY, COLDER PRODUCTS, CPC, ASEPTIQUIK AND MICROCNX ARE REGISTERED TRADEMARKS WITH THE US PATENT & TRADEMARK OFFICE.