

AdvantaPass™

Cleanroom Pass-Through Technology



AdvantaPure's™ patented **AdvantaPass™** design facilitates aseptic fluid transfer between the cleanroom and bulkhead utilizing the wall between them. Whether using single-use systems (SUS) or another tubing or hose, the AdvantaPass consistently provides a safe, easy to use fluid transfer option.

KEY FEATURES & BENEFITS

- When used with SUS components – eliminates the need to clean and validate hard piping
- Single or multiple fluid flow lines without isolation barrier compromise
- Provides reliable fluid transfer method without the need to reconfigure surrounding space
- Low maintenance
- Custom manufactured base unit, standardized
- complementary parts per application
- Compatible with most wall and floor thicknesses
- Assembly takes minutes
- Standard sizes 4" and 6" with custom configurations available
- Port assembly made in the USA from 316L stainless steel

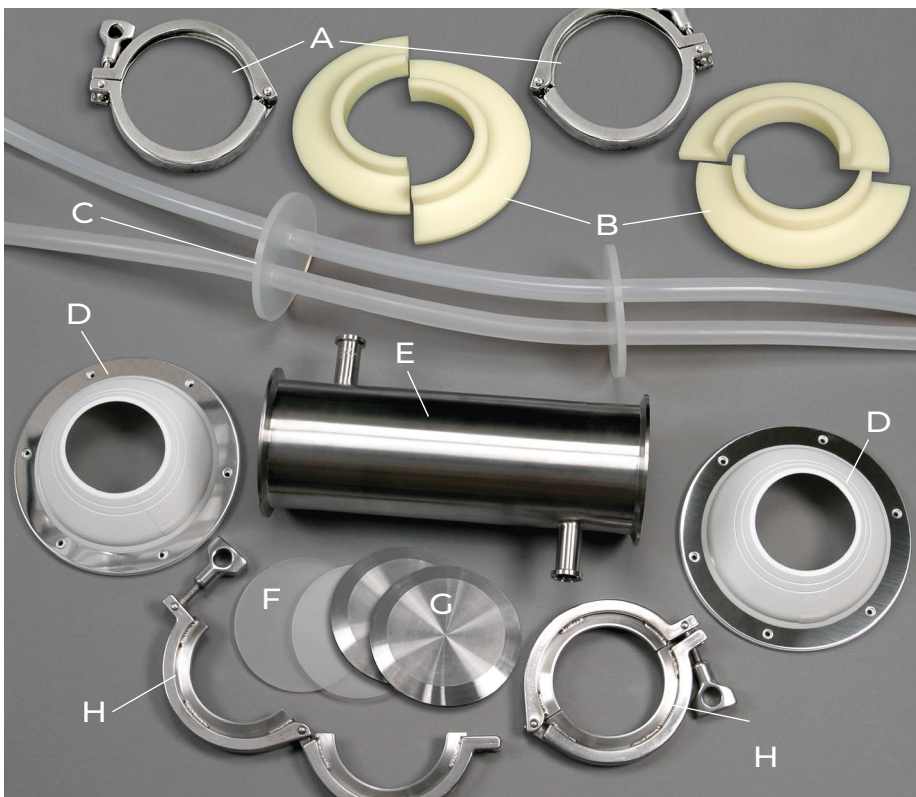
*If adding purge ports, additional components will be required. Purge ports will reduce contamination.

PHARMASEP

Always by your side

AdvantaPURE™

COMPONENT IDENTIFICATION



A - Hygienic Clamp HD 304 SS

B - Support Ring

C - Isolator Disk and Assembly

D - Silicone Boot

E - 316L SS Portal

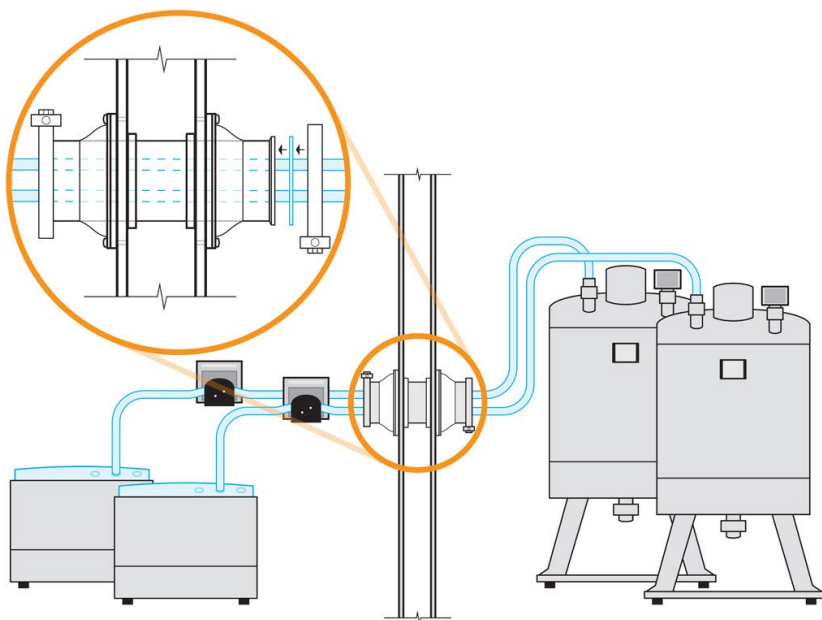
F - Platinum LIM Silicone Solid Isolator

G - 316L SS Solid End Cap

H - Hygienic Clamp with Welded Split Cap

NOTE: Sanitary clamps provided are ASME BPE compliant. Non-BPE compliant clamps may not work with AdvantaPass. The single-use isolator assembly consists of one or more sections of AdvantaPure tubing with two isolators.

CUSTOMIZABLE MANUFACTURING



The AdvantaPass system is customizable to fit various wall thicknesses and can be adapted for floor-to-ceiling conveyance. It manages multiple tubing apertures and purge ports through a single wall portal.

This system reduces production stoppages associated with sterilization and validation of hard piping transfer systems, saving resources, cleaning chemicals, time, and labor. The single-use components offer flexibility, minimize cross-contamination risk, and improve productivity and efficiency.

PHARMASEP

Always by your side

SELECT THE RIGHT ADVANTAPASS

Choose Your AdvantaPass Base Unit (based on purge port and wall size)

Sizes	Part Number	Description	Purge or No Purge	Wall Size
4" PORTALS	A8902109	ADVANTAPASS 4" 316L SS PORTAL	PURGE PORT	1.5" to 4"
	A8902122	ADVANTAPASS 4" 316L SS PORTAL	PURGE PORT	4" to 6"
	A8902135	ADVANTAPASS 4" 316L SS PORTAL	PURGE PORT	6" to 8"
	A8902564	ADVANTAPASS 4" 316L SS PORTAL	W/O PURGE PORT	1.5" to 4"
	A8902577	ADVANTAPASS 4" 316L SS PORTAL	W/O PURGE PORT	4" to 6"
	A8902590	ADVANTAPASS 4" 316L SS PORTAL	W/O PURGE PORT	6" to 8"
6" PORTALS	A8902200	ADVANTAPASS 6" 316L SS PORTAL	PURGE PORT	1.5" to 4"
	A8902213	ADVANTAPASS 6" 316L SS PORTAL	PURGE PORT	4" to 6"
	A8902226	ADVANTAPASS 6" 316L SS PORTAL	PURGE PORT	6" to 8"
	A8902655	ADVANTAPASS 6" 316L SS PORTAL	W/O PURGE PORT	1.5" to 4"
	A8902668	ADVANTAPASS 6" 316L SS PORTAL	W/O PURGE PORT	4" to 6"
	A8902681	ADVANTAPASS 6" 316L SS PORTAL	W/O PURGE PORT	6" to 8"

YOUR PURGE PORT SEALING OPTIONS

Choose a Purge Port Sealing Option (when choosing this option all items below must be ordered)

Part Number	Description
A7300059	PLATINUM SILICONE GASKET FOR - 3/4" MINI TRI-CLAMP
CA7391151	SANITARY FITTING MINI END CAP
CA7921177	SANITARY NYLON CLAMP .750"

NOTE: These components are strictly for the purge port, so they work on all size portals.

The AdvantaPass is compatible with many other pass-through systems.

Talk to your sales representative today about how to convert to an AdvantaPass or if you would like more information on the 8" portal size.



PHARMASEP

Always by your side

Ready for Your Quote?

To receive a quote, we'll need additional information about your project. Visit our website or connect with a sales representative to complete the questionnaire and receive your complimentary quote.



Scan the QR code or visit advantapure.com/advantapass

Call: +1 215-526-2151 or
Toll Free Phone: 888-755-4370 (US only)

SUGGESTED ADDITIONAL COMPONENTS



AdvantaSil APST Unreinforced Platinum Cured Silicone Tubing

Platinum-cured silicone tubing is clean room produced for critical biopharma and pharmaceutical application. APST has undergone extensive physical, chemical and biological testing and meets USP Class VI, ISO and EP standards.



AdvantaFlex Biopharmaceutical Grade TPE Tubing

AdvantaFlex provides a flexible, sterilizable, moldable, weldable, and heat sealable biopharmaceutical tubing without silicone oils. It maintains its physical properties, including its translucence, following sterilization and does not become “gummy”. All tubing is kink resistant.



Single-use Isolator Assembly

A single-use isolator assembly can be manufactured in sizes to fit the AdvantaPass and includes either the AdvantaSil (APST) or AdvantaFlex (APAF-BP) type of tubing. All assemblies include silicone, friction fit isolator disks. This assembly supports multiple tubes passing through the isolator disk and allows for a customizable mix of Silicone and TPE to meet your specific needs.



145 James Way · Southampton, Pennsylvania, 18966 USA
364 Valley Road · Warrington, Pennsylvania, 18976 USA
Data 7 · 7741 MG Coevorden, Netherlands
888-755-4370 · 215-526-2300

PHARMASEP

Always by your side

260, rue Georges Charpak, 01 390 Civrieux - France
Tél : +33 4 74 71 94 71
contact@pharmasep.fr
www.pharmasep.fr

WARRANTY: Products of NewAge Industries, Inc.™ the parent company of the AdvantaPure™ division are warranted to be free from defects in material and workmanship. Any product found to carry such defects will be replaced without charge. This warranty is limited only to the replacement of AdvantaPure products, item for item, which after examination by AdvantaPure are deemed defective. The AdvantaPure division specifically disclaims any other liability. The data supplied is provided as a helpful guideline and is believed to be reliable; however, nothing stated shall constitute a guarantee, recommendation, or warranty for any application.

© Copyright 2025. All Rights Reserved