

ASEPTIQUIK® W SERIES CONNECTORS

Genderless AseptiQuik® W Series Connectors with nominal 1 1/2" flow path enable quick and easy sterile connections, in large-volume, high-flow production, and process intensification environments. The genderless design simplifies system integration and minimizes the risk of operator error. The connectors' robust construction provides reliable performance without the need for clamps or fixtures. Biopharmaceutical manufacturers benefit from interchangeable 1", 1 1/4", and 1 1/2" flow solutions for full-scale bioprocessing production environments with the quality and market availability they expect from the leader in the single-use connection technology.



SPECIFICATIONS

OPERATING PRESSURE

Up to 60 psi, 4.1 bar
Up to 75 psi, 5.1 bar for 48 hours

OPERATING TEMPERATURE

34°F to 104°F (1°C to 40°C)

STERILIZATION

- OR **Gamma:** up to 50 kGy irradiation
- Autoclave High Temp (HT) Version:** Up to 266°F (130°C) for 60 minutes

TERMINATIONS

1", 1 1/4", 1 1/2" Hose barb, 1 1/2" Sanitary
(25.4mm, 31.75mm, 38.1mm, 38.1mm)

MATERIALS

Main components:

Polycarbonate (white)

Shipping Clip:

Polycarbonate (clear)

Side latch:

Polyphenylsulfone (blue)

Pull Tabs/Caps:

Polycarbonate (white, HT version)

Pull Tab Guide:

Polyphenylsulfone (gray)

Seals:

Silicone (clear), platinum-cured

Membrane:

Hydrophobic Polyethersulfone (HT version),
PTFE strip sticker

WARNING: Pressure, temperature, chemicals, and operating environment can affect the performance of couplings. It is the customer's responsibility to test the suitability of CPC's products in their own application conditions.

FEATURES

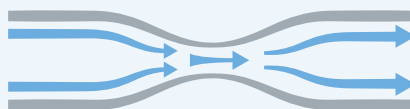
- Genderless
- FLIP - CLICK - PULL - SNAP
- Secure Side Latches
- Membrane Pull Tabs
- No Secondary Component Needed
- Largest AseptiQuik Flow Diameter
(1 1/2" Nominal Flow Path)

BENEFITS

- Eases single-use systems specifications with one-part number for both halves
- Intuitive four-step connection process reduces risk of operator error
- Increases connector robustness for wide variety of applications
- Ensure simultaneous and secure removal of both membranes
- No need to purchase and store extra materials or tools to complete your sterile connection process
- Move liquid medias faster to increase process efficiency

TYPICAL FLOW RATE:

Cv Value Range: 39-118 for AseptiQuik W



Cv values represent the approximate expected flow rate in gallons per minute of water at room temperature for a 1 PSI pressure drop. The flow is generally constrained by the smallest diameter, which in some cases will be the termination diameter and not the Nominal Flow Path.

NOTE

Validation and Extractables data can be requested at
cpcworldwide.com/AseptiQuik-W



cpcworldwide.com/AseptiQuik-W



COLDER PRODUCTS COMPANY

U.S.A.

PHONE: +1 (651) 645-0091

FAX: +1 (651) 645-5404

TOLL FREE: +1 (800) 519-7633

E-MAIL: info@cpcworldwide.com

PHARMASEP

Always by your side

E-mail : contact@pharmasep.fr
www.pharmasep.fr - Tél : +33 4 74 71 94 71
260, rue Georges Charpak - 01390 Civrieux - France

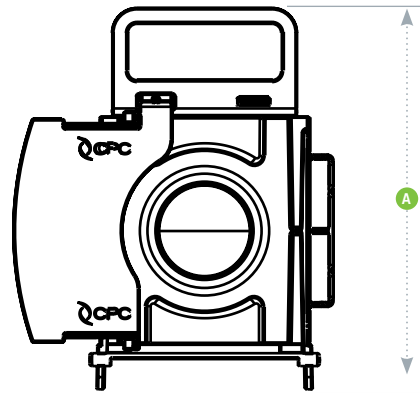
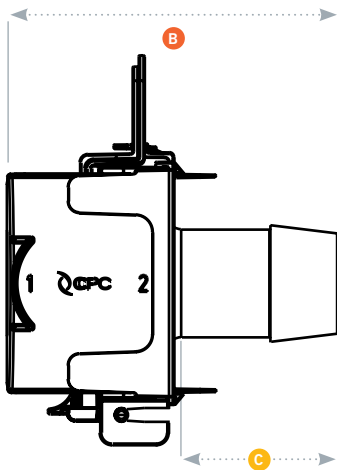
ASEPTIQUIK® W SERIES DIMENSIONS

POLYCARBOANTE HT WITH WHITE PULL TABS - For autoclave or gamma irradiation applications.



TERMINATION	METRIC EQ.	PART NO.	A	B	C
1" HOSE BARB	25.4 mm	AQW17016HT	5.77" (146.6 mm)	4.00" (101.6 mm)	1.51" (38.4 mm)
1 1/4" HOSE BARB	31.8 mm	AQW17020HT	5.77" (146.6 mm)	4.39" (111.5 mm)	1.91" (48.5 mm)
1 1/2" HOSE BARB	38.1 mm	AQW17024HT	5.77" (146.6 mm)	4.91" (124.7 mm)	2.42" (61.5 mm)
1 1/2" SANITARY	38.1 mm	AQW33024HT	5.77" (146.6 mm)	3.66" (93.0 mm)	1.17" (29.7 mm)

PRODUCT DIMENSIONS

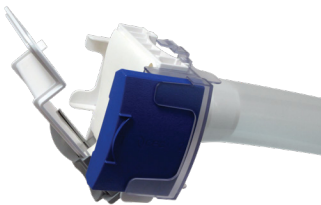


- A = Height/Diameter
- B = Total Length
- C = Hose Barb Length

ASEPTIQUIK® W ASSEMBLY PROCEDURE

STEP 1

Flip the pull tab down while disengaging it from the shipping clip until fully open and clicked into place



STEP 2

Align the two halves and press together until you hear a "click" sound of the 1st stage connection latches



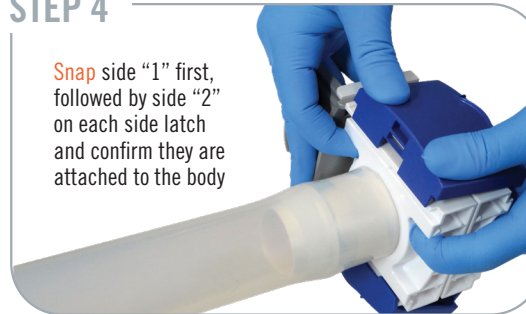
STEP 3

Pull the sterile barrier components by placing one hand in the handle of the pull tabs and the other hand on the termination (Option 1) OR the pull tab guides (Option 2). (Ensure Step 3 is completed prior to moving to Step 4)



STEP 4

Snap side "1" first, followed by side "2" on each side latch and confirm they are attached to the body



Scan code to watch AseptiQuik W assembly video



SCAN

cpcworldwide.com/AQWassembly

WARRANTY: All sales are subject to Colder Products Company's limited express warranty set forth in the CPC catalog. Contact your local distributor or CPC Customer Service for warranty provisions.

Warning: Due to the wide variety of possible fluid media and operating conditions, unintended consequences may result from the use of this product, all of which are beyond the control of CPC. It is the user's responsibility to carefully determine and test for compatibility for use with their application. All such risks shall be assumed by the buyer.

COPYRIGHT © 2022 BY COLDER PRODUCTS COMPANY

COLDER PRODUCTS COMPANY, COLDER PRODUCTS, CPC, ASEPTIQUIK AND MICROCNX ARE REGISTERED TRADEMARKS WITH THE US PATENT & TRADEMARK OFFICE.

CAT2045-AQW Rev.03/23