

# ASEPTIQUIK® S SERIES CONNECTORS



**AseptiQuik® S Small Format Connectors** provide quick and easy sterile connections for small-flow applications, even in non-sterile environments. The “FLIP-CLICK-PULL” design of AseptiQuik S enables users to quickly transfer small volumes of media easily with less risk of operator error. The connector’s genderless and robust design provides reliable performance without the need for clamps, fixtures or tube welders. Biopharmaceutical manufacturers can now make 1/8”, 1/4” and 3/8” hose barb and 1/4” and 3/4” sanitary sterile connections with the quality and market availability they expect from the leader in single-use connection technology.

## Specifications ● ● ●

### PRESSURE:

Up to 60 psi, 4.1 bar

### TEMPERATURE:

39°F to 104°F (4°C to 40°C)

### STERILIZATION:

**Gamma:** Up to 50kGy irradiation

**Autoclave High Temp (HT) Version:**

Up to 266°F (130°C) for 60 minutes

### TERMINATION SIZES:

1/8”, 1/4” and 3/8” ID hose barb (3.2mm, 6.4mm and 9.5mm), 1/4” and 3/4” sanitary and MPC insert

### MATERIALS:

#### Main Components:

Polycarbonate (white), USP Class VI, ADCF

#### Pull Tabs/Caps:

Polycarbonate (blue, standard version),

USP Class VI, ADCF

Polycarbonate (white, HT version),

USP Class VI, ADCF

#### Seals:

Silicone (clear), platinum-cured, USP Class VI, ADCF

#### Membrane:

Polyethylene (standard version), USP Class VI, ADCF

Hydrophobic polyethersulfone (HT version),

USP Class VI, ADCF, PTFE strip sticker

## FEATURES

Genderless design

Robust construction

FLIP-CLICK-PULL

Integrated pull tab covers

CPC Click

1/4 sanitary termination with straight bore

## BENEFITS

Eases integration of single-use systems with one part number for both halves

Repeatable and reliable performance with no additional hardware required

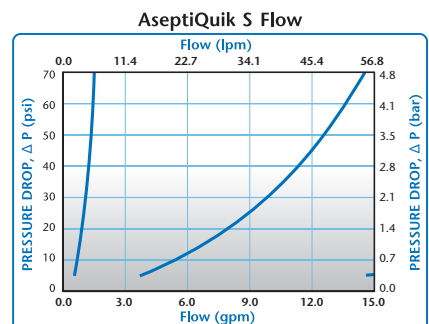
Innovative three-step connection process reduces risk of operator error

Pull tabs act as protective cover reducing part complexity and ensure simultaneous removal of both membranes

Audible confirmation of assembly

Minimizes transitional flow disruptions throughout upstream processing

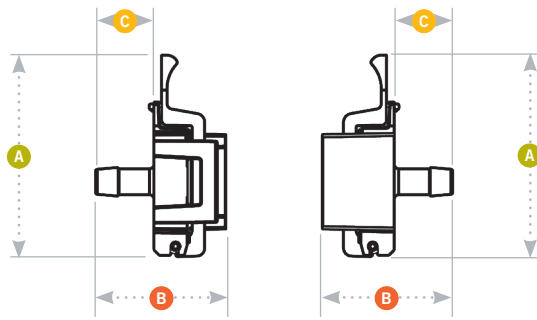
⚠ This graph is intended to give you a general idea of the performance capabilities of each product line. The shaded area of the graph represents the operating range of the product family, i.e. upper and lower values are shown. Therefore, depending on the exact coupling configurations selected, you can reasonably expect values to fall within the shaded area.



Visit us at [cpcworldwide.com](http://cpcworldwide.com) or call 800-519-7633 to get a free catalog or to find your local distributor.

# ASEPTIQUIK® S SERIES DIMENSIONS

- A** = Height/Diameter
- B** = Total Length
- C** = Hose Barb Length



## Coupling Bodies

### • POLYCARBONATE with Blue Pull Tabs



**TERMINATION**  
 1/8" HOSE BARB  
 1/4" HOSE BARB  
 1/4" SANITARY  
 3/8" HOSE BARB  
 3/4" SANITARY  
 MPC INSERT

**PART NO.**  
 AQS17002  
 AQS17004  
 AQS33004  
 AQS17006  
 AQS33012  
 AQS17MPC

**A**  
 2.25  
 2.25  
 2.25  
 2.25  
 2.25  
 2.25

**B**  
 1.30  
 1.45  
 1.50  
 1.45  
 1.60  
 1.49

**C**  
 0.50  
 0.65  
 0.70  
 0.65  
 0.80  
 0.69

### • POLYCARBONATE HT with White Pull Tabs



**TERMINATION**  
 1/8" HOSE BARB  
 1/4" HOSE BARB  
 1/4" SANITARY  
 3/8" HOSE BARB  
 3/4" SANITARY  
 MPC INSERT

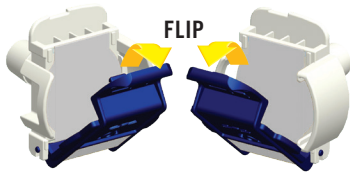
**PART NO.**  
 AQS17002HT  
 AQS17004HT  
 AQS33004HT  
 AQS17006HT  
 AQS33012HT  
 AQS17MPCHT

**A**  
 2.25  
 2.25  
 2.25  
 2.25  
 2.25  
 2.25

**B**  
 1.30  
 1.45  
 1.50  
 1.45  
 1.60  
 1.49

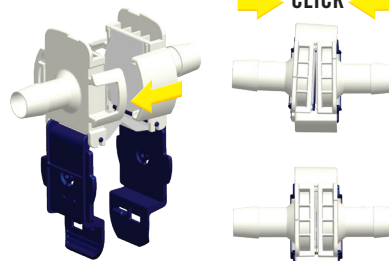
**C**  
 0.50  
 0.65  
 0.70  
 0.65  
 0.80  
 0.69

## Flip-Click-Pull Assembly Procedure



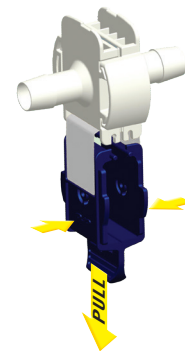
**1**

Unsnap and flip down the protective pull tab covers on each connector half.



**2**

Align the connector halves with the pull tabs hanging down. Slide the two halves together. Independently squeeze each side of the connector until you hear an audible "CPC Click."



**3**

To complete the connection, simply snap the pull tabs together by pushing on the CPC logos and pull the membranes from the connector.



COLDER PRODUCTS COMPANY  
 U.S.A.

PHONE +1 651-645-0091  
 FAX +1 651-645-5404  
 TOLL FREE 800-519-7633

**Confidence at every point of connection.**

**PHARMASEP**

Always by your side

E-mail : [contact@pharmasep.fr](mailto:contact@pharmasep.fr)  
[www.pharmasep.fr](http://www.pharmasep.fr) - Tél : +33 4 74 71 94 71  
 260, rue Georges Charpak - 01390 Civrieux - France

[cpcworldwide.com/ContactUs](http://cpcworldwide.com/ContactUs)

WARRANTY: All sales are subject to Colder Products Company's limited express warranty set forth in the CPC catalog. Contact your local distributor or CPC Customer Service for warranty provisions.

Warning: Due to the wide variety of possible fluid media and operating conditions, unintended consequences may result from the use of this product, all of which are beyond the control of CPC. It is the user's responsibility to carefully determine and test for compatibility for use with their application. All such risks shall be assumed by the buyer.

COPYRIGHT © 2019 BY COLDER PRODUCTS COMPANY. COLDER PRODUCTS COMPANY, COLDER PRODUCTS AND CPC ARE REGISTERED TRADEMARKS WITH THE US PATENT & TRADEMARK OFFICE.

SPEC1031 10/19 GLS/500 PRINTED IN THE U.S.A.