

# IRIS VALVE : The Transfer Port Solution

The ROMYNOX Iris valves are specially designed as a transfer-port solution between two clean rooms in combination with our Mousehole transfer port. In this way you can move large volumes of liquids without the risk of bin breakage or spillage during bin transfer.

The Iris valves have been specifically designed for applications demanding the highest level of hygiene normally associated with Cleanroom applications in the biopharmaceutical market.



## FLEXIBLE SLEEVE

The flexible iris sleeve is made of **EPDM**, which creates an airtight barrier no matter what hose or tube you put through it. The sleeve can be replaced quickly and easily, which we advise to do so every year. The Iris valve is made of 100% biopharmaceutical approved and certified materials. The revolutionary light weight design makes it easy for everybody to use and install.



## TEMPERATURE RANGE

2° to 40° Celcius

## CONNECTIONS

Tri-Clamp

## MATERIAL

### Body & connections:

Polyoxymethylene (POM-C, white)

**Iris sleeve:** EPDM (white)

### Steel components:

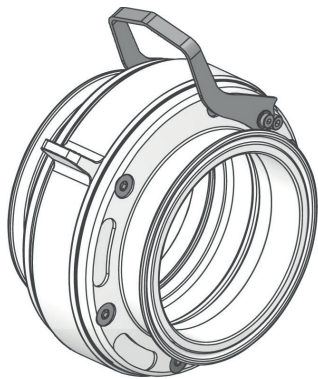
Stainless Steel 304

## CLEANABILITY

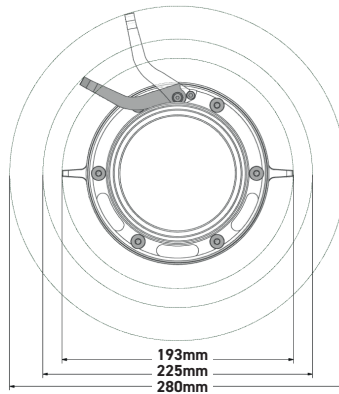
- Isopropyl alcohol 99,9%
- Ethanol 99,8%
- Actisan
- Hydrogen peroxide 10%

## SIZES

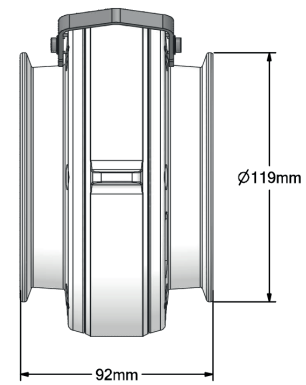
Size	Weight
4"	1,3 KG
6"	2,5 KG



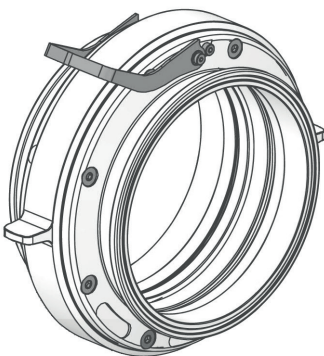
4" - 3D model



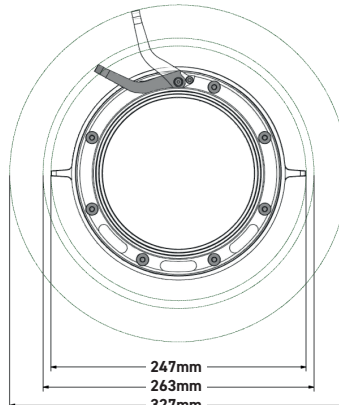
4" - Front measures



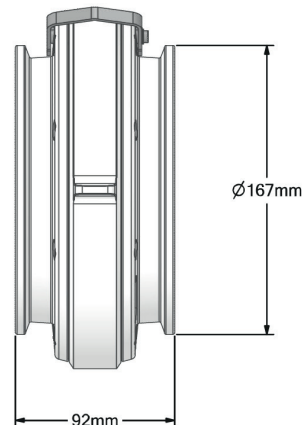
4" - Side measures



6" - 3D model



6" - Front measures



6" - Side measures

				Title.
D				Iris Valve E
C				
B				
A	15-11-21	Originator	SM	DWG No. 2021
Edited	Date	Description	Signed	Article No. YMI40
				Order No.
				Notes.

**ROMYNOX**  
www.romynox.eu