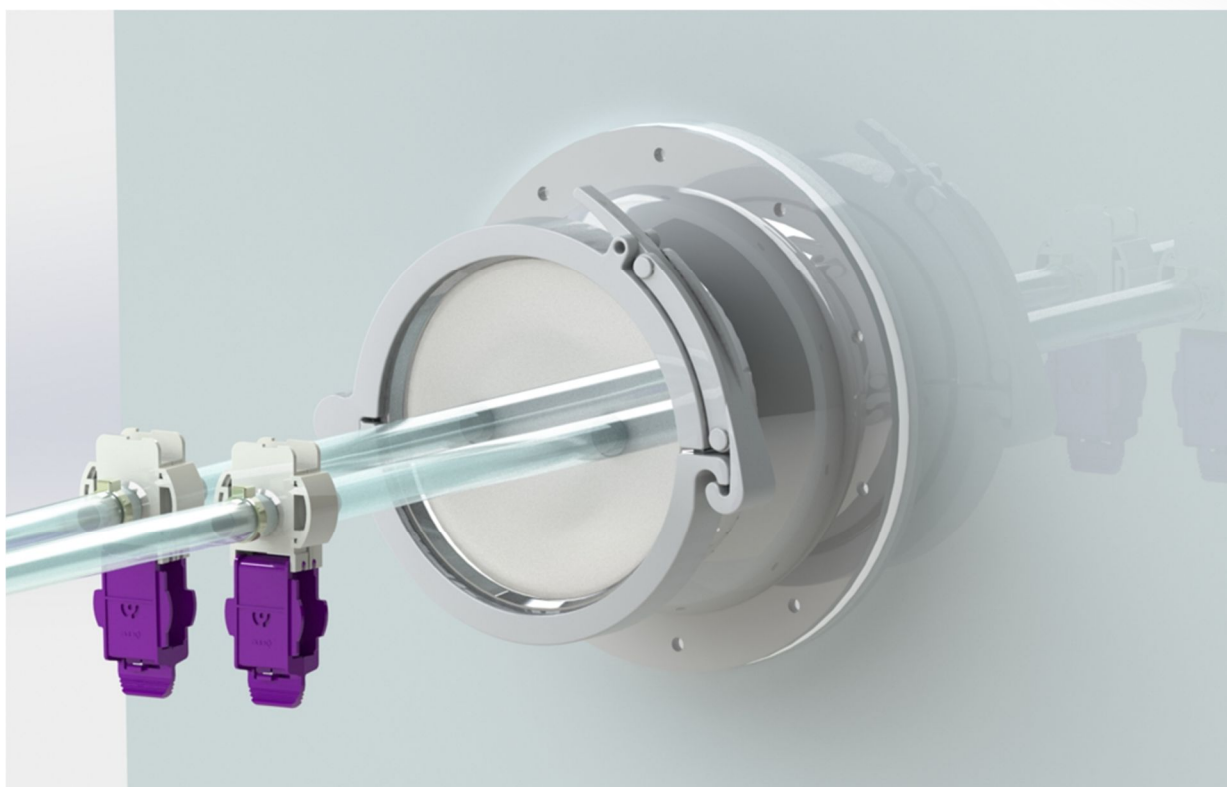
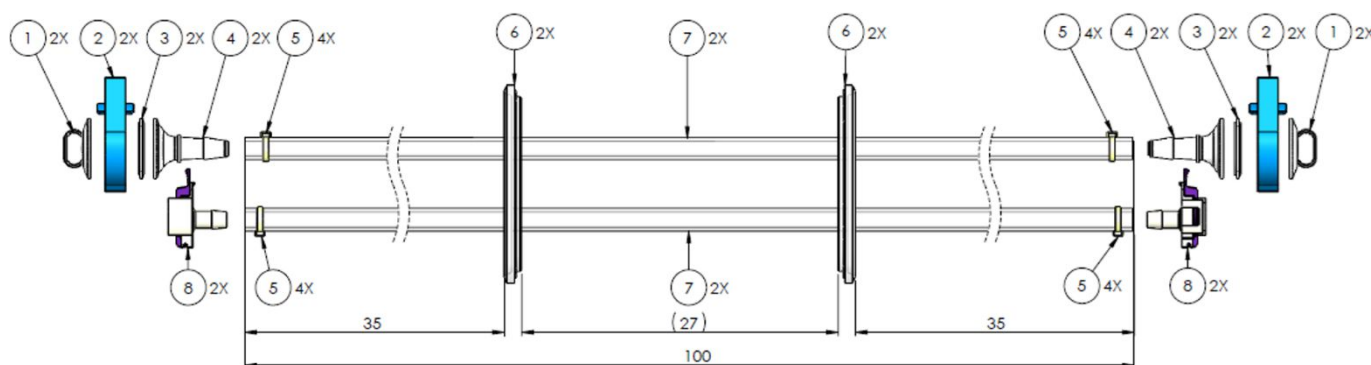


# PHARMADISC®



**PharmaDisc®** is an innovative "clamp based disc" device for bulkhead fittings equipped with clamp connections at the ends. Thanks to the design of the PharmaDisc®, it is no longer necessary to use a rigid counterflange to ensure reliable clamping and sealing. This device stands out for its ease of use and its ability to be clamped directly onto the clamp ferrule. It is designed to be used with standard or custom single-use assemblies to ensure the safe transfer of liquids between two different grade areas.

PharmaDisc® is currently available in a 6" diameter. Supplied individually or mounted on a single-use assembly manufactured in an ISO 7 cleanroom and delivered gamma irradiated. PharmaDisc® allows liquids to be transferred while preserving the integrity of your production areas.

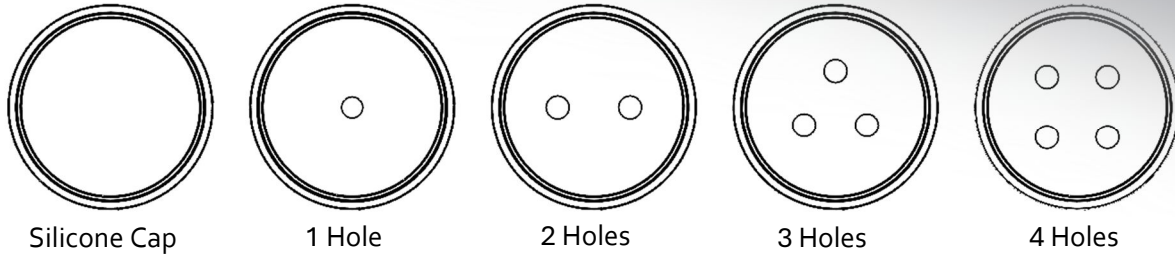


### PharmaDisc®

- Produced in ISO Class7 Cleanroom
- Material : Platinum cured silicone
- Hardness : 70 shore
- Gamma stable at 40 kGy
- TSE/BSE Free
- USP Class VI, ISO 10993 compliances

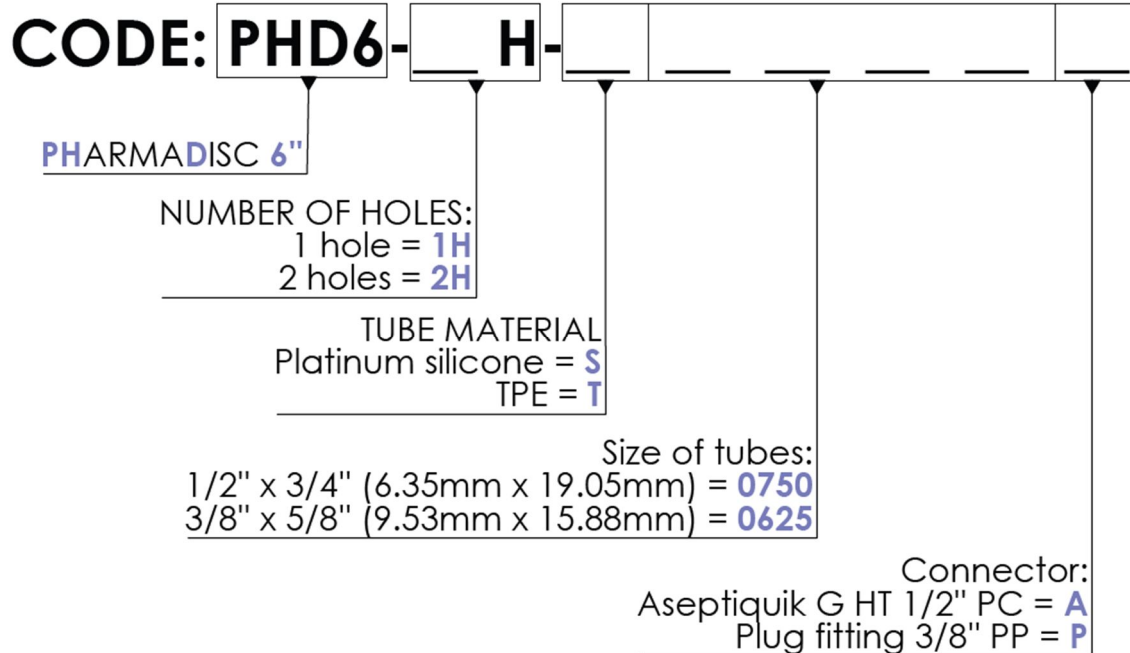


## Available Configurations



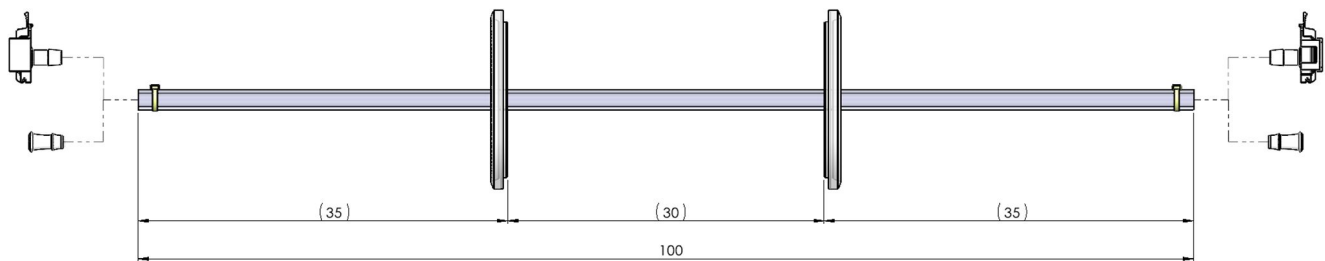
Validated external tubing diameters					
Inches	1/2"	5/8"	3/4"	1"	1-3/8"
In mm	12,7	15,9	19,1	25,4	34,9

## Standards PharmaDisc® Assemblies



Standard tubing length : 100 cm

PharmaDisc®	Tubing material	Tubing size	Connectors	Item Ref
1 Hole	Platinum Silicone	1/2" x 3/4"	Aseptiquik G HT	PHD6-1H-S0750A
	TPE	1/2" x 3/4"	Aseptiquik G HT	PHD6-1H-T0750A
		3/8" x 5/8"	PP Plug	PHD6-1H-T0625P



PharmaDisc®	Tubing material	Tubing size	Connectors	Item Ref
2 Holes	Platinum Silicone	1/2" x 3/4"	Aseptiquik G HT	PHD6-2H-S0750A
	TPE	1/2" x 3/4"	Aseptiquik G HT	PHD6-2H-T0750A
		3/8" x 5/8"	PP plug	PHD6-2H-T0625P

